

Radiant heating cassettes

medium-temperature

Electric heaters



Ratings and dimensions

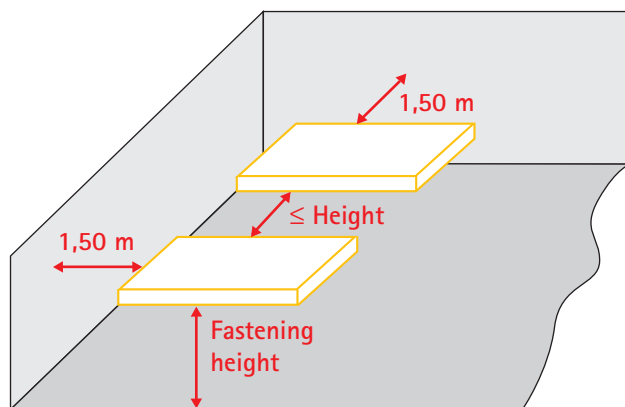
Power (W)	Voltage (V)	Weight (kg)	Height (mm)	Wength (mm)	Width (mm)
1800	230 V or 400 V 3N	13	60	1500	256
2400	230 V or 400 V 3N	13	60	1500	256
3600	230 V or 400 V 3N	18	60	1500	357

CE - Classe I - IP X4



Accessory

Room Thermostat (IP 30)





Radiant heating cassettes

- **Initial principle:**

Design output is calculated in the same manner for low- and medium-temperature cassettes.

The power necessary for heating a room is equal to the losses increased by 10% to 20%.

- The minimum number of cassettes to be installed is determined by using the following principle:

$$\text{Number of cassettes} \geq \frac{\text{Room surface area in m}^2}{\text{Fastening height in m}^2}$$

- Two rules must be followed when positioning the cassettes:

- > The space between each cassette must be less than the value of the fastening height. The cassettes must be fitted at least 1.50 m from the outer walls (to limit heat loss).
- > The cassettes must be fitted horizontally to ensure a high level of comfort. Any inclination of the cassettes can significantly reduce the effectiveness of the radiant heating and create thermal discomfort.

- Cassettes are chosen on the basis of the following calculation:

$$\text{Unit output of the cassette (W)} = \frac{\text{Output to install (W)}}{\text{Number of cassettes}}$$

The unit output of the cassette must be consistent with the installation height and therefore with the type of heat-emitting device chosen (low-temperature or medium-temperature).

The cassettes must be combined with a control and programming system.