

Nico Nicobar

Bathroom heaters



Nicobar



Nico



Ratings and dimensions

Nicobar (with timer and rails)

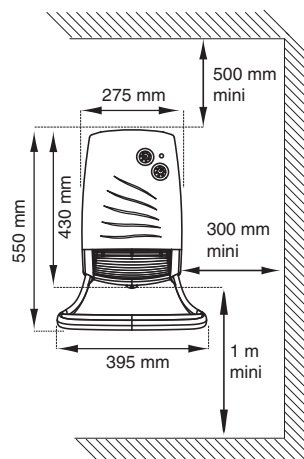
Rating (W)	Width x Height (mm)	Depth (mm)	Net weight (kg)
1000/1800	395 x 550	250	3,8

Nico (with timer)

Rating (W)	Width x Height (mm)	Thickness (mm)	Net weight (kg)
1000/1800	275 x 430	140	3,5

Nico (without timer)

Rating (W)	Width x Height (mm)	Thickness (mm)	Net weight (kg)
1800	275 x 430	140	3,5



CE -  - Classe II - IP 24

(For other standards, consult us)