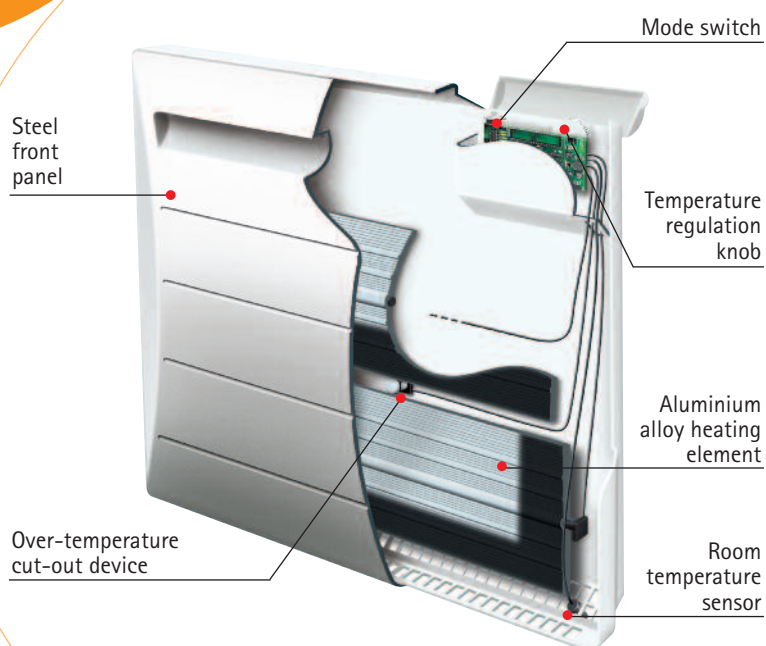


Shangai Electric heaters



Ratings and dimensions

	Rating (W)	Depth* (mm)	Width (mm)	Height (mm)	Weight (kg)	A (mm)	B (mm)
Horizontal	500	135	444	599	6,6	269	345
	750	135	444	599	6,6	269	345
	1000	135	592	599	8,4	417	345
	1250	135	740	599	10,2	566	345
	1500	135	888	599	12,1	713	345
	2000	135	1110	599	15,1	935	345

*Note: Depth dimension includes fixing bracket.

Side view

Horizontal model

